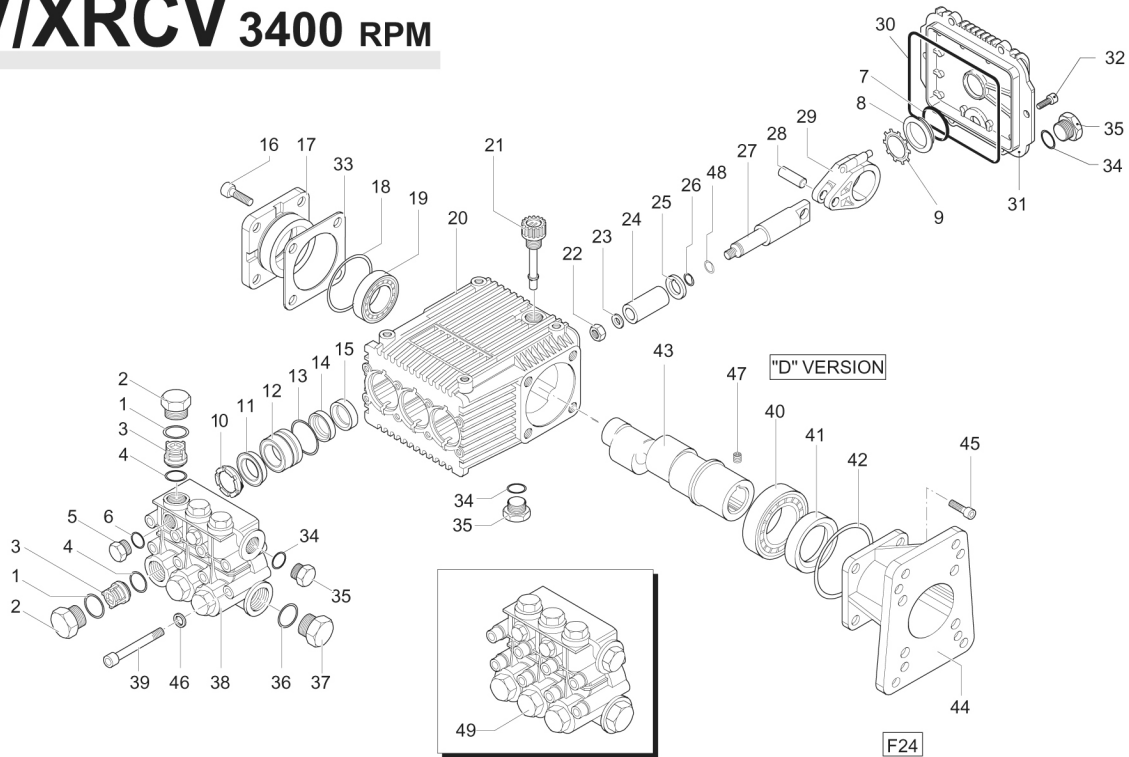


# XRV/XRCV 3400 RPM



Pos.	Code	Description	Qty.
1	960160	O-Ring	6
	960090	Plug (478 in/lbs)	6
	960850	Plug (478 in/lbs)	6
	1380740	Plug (478 in/lbs)	6
	960090T	Brass valve cap 1/4" threaded	1
	960850T	SS valve cap 1/4" threaded	1
3	889052	Complete valve	6
4	880830	O-Ring	6
5	880581	Plug 1/4G Brass	2
	1380690	Plug 1/4G NP	2
6	820510	O-Ring	2
7	1260430	Snap ring	1
8	1260250	Oil sight glass	1
9	1140450	O-Ring	1
10	960110	Support ring	3
11	880320	High pressure packing	3
12	1380090	Piston guide	3
13	961240	O-Ring	3
14	880330	Low pressure seal	3
15	1383130	Oil seal	3
16	850370	Bolt (217 in/lbs)	4
17	1380050	Closed bearing sup.	1
18	640030	O-Ring	1
19	840370	Bearing	1
20	1382770	Pump housing	1
21	880130	Oil cap	1
22	962010	Nut (106 in/lbs)	3
23	962000	Washer	3
24	1380940	Piston	3
25	1380950	Slinger	3
26	600180	O-Ring	3
27	1380920	Guiding piston	3
28	1380060	Piston Pin	3
29	1380440	Aluminium con rod	3
	1380290	Bronze con rod	3
30	1780510	O-Ring	1
31	1789010	Complete cover	1
32	1343510	Bolt (89 in/lbs)	6
	1380120	Shim 0.1 mm	1 - 3
	1380130	Shim 0.2 mm	1 - 3
	1380530	Shim 0.25 mm	1 - 3
	1382810	Shim 0.05 mm	1 - 3
34	740290	O-Ring	2

Pos.	Code	Description	Qty.
35	1980740	Plug 3/8G Brass	1
	1981180	Plug 3/8G NP	1
36	180101	O-Ring	1
37	820361	Plug 1/2G Brass	1
	960870	Plug 1/2G NP	1
38	1381071	Pump head	1
	1381070	Pump head	1
39	820150	Head bolt (217 in/lbs)	8
40	1380320	Bearing	1
41	621170	Oil seal	1
42	1380220	O-Ring	1
43	1381360	Hollow shaft Ø1"	1
	1380590	Hollow shaft Ø1"	1
44	1597	Gas engine flange	1
45	180030	Bolt	4
46	1381850	Washer	8
47	820440	Set screw	1
48	1080401	Back-up ring	3
	1389232	Complete pump head	1
	1389236	Complete pump head	1
	1389228	Complete pump head	1
	1389224	Complete pump head	1

XRV VERSION			
24	880291	Piston	3
25	960460	Spacer	3
26	880840	O-Ring	3
27	1380070	Piston rod	3
48	1940120	Ring	3

## Legend

Ø 18	Ø 18	Ø 18	Ø 18
For ○	For □	For ▼	For ◆
XRCV3.5G25	XRCV3.5G35H	XRCV4G30 XRCV4G30A	XRCV4G35H
For ●	For ▲		
XRCV3.5G30H	XRCV4G32		

## Repair Kits

Water Seals	Valves	Pistons	Oil Seals
Kit 1857	Kit 1828	Kit 2546	Kit 1855
Pos. Qty.	Pos. Qty.	Pos. Qty.	Pos. Qty.
11 3	3 6	22 3	15 3
13 3	4 6	23 3	18 1
14 3		24 3	30 1
		25 3	40 1
		26 3	41 2
		48 3	

### Support Rings

Kit 1829	
Pos.	Qty.
10	3

## Special Parts

Code	Description	Qty.
2809	Viton water seals Ø18	1
2819	Water seal in 180°F Ø18	1